

Feature

- The test system designed to combiner multi frequencies
- The frequency can be manufactured from 900/1800/2100/2600 MHz with the specified frequency of GSM/ WCDMA/ LTE 5G NR system.
- It is suitable for test purpose, final test or electrical test

Application

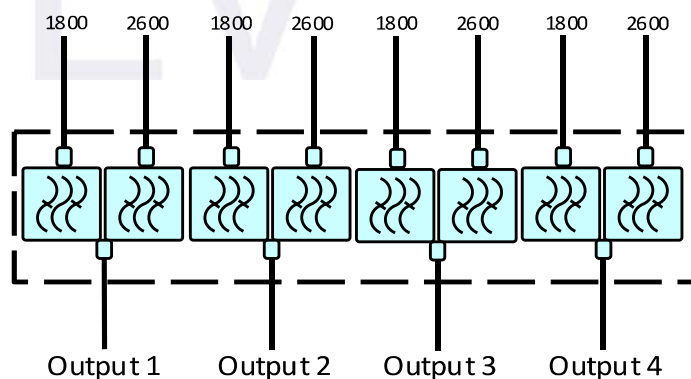
- Cellular indoor network.
- Lab test
- Repair center
- COW system

Electrical characteristics

1800-2600MHz Module

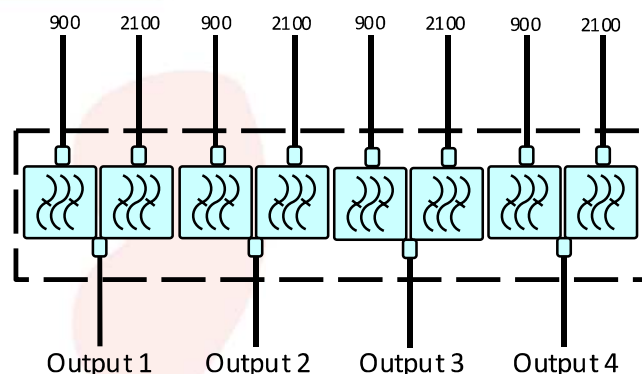
	Band 1800MHz	Band 2600MHz
Frequency Band (*)	1710-1880MHz	2500-2690MHz
Insertion Loss	≤ 0.6dB max	
Return Loss	18dB max	
Isolation	50 dB	
DC pass	30-3A	
Impedance	50Ω All ports	
Passive Intermodulation	≤ -150dBc(RX band) 2x43 dBm(TX band)	
Power handling	150W max.	
Connector	4.3/10 Female all port	
Number of port	Input: 12 out put: 4	

* Customization as customer request.



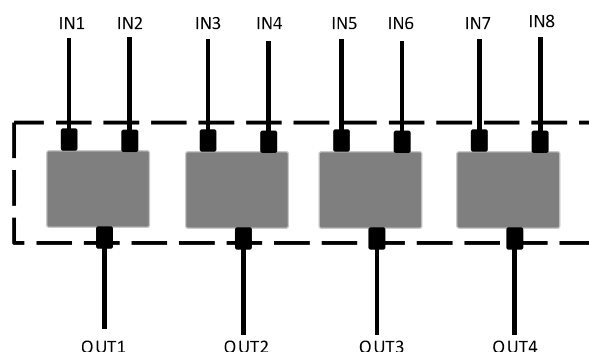
900-2100 Module

	Band 900MHz	Band 2100MHz
Frequency Band (*)	890-960MHz	1920-2170MHz
Insertion Loss	≤ 0.6dB max	
Return Loss	18dB max	
Isolation	50 dB	
DC pass	30-3A	
Impedance	50Ω All ports	
Passive Intermodulation	≤ -150dBc(RX band) 2x43 dBm(TX band)	
Power handling	150W max.	
Connector	4.3/10 Female all port	
Number of port	Input: 12 out put: 4	



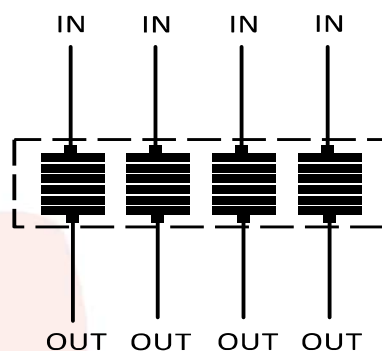
Wide band combiner

	All Port
Frequency Band	700-2700MHz
Insertion Loss	≤ 3.1 dB max(±0.5 dB)
V.S.W.R	≤ 1.3 max
Isolation	≥ 20dB
Impedance	50Ω
DC pass	30V-3A
Passive Intermodulation (dBc)	≤ -150dBc (3 rd order, with 2×20W)
Input Power	CW 300W Max/per port
Connector	4.3/10 Female all port
Number of port	Input: 8 out put: 4



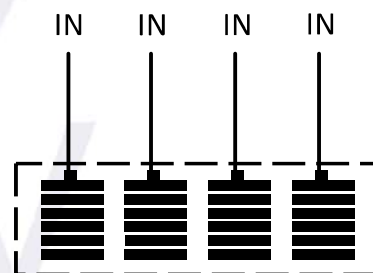
Attenuator module

	All Port
Frequency Band	700-2700MHz
V.S.W.R	≤ 1.3 max
Impedance	50 Ω
Attenuator	30-40 dB
Input Power	CW 100W Max/per port
Connector	4.3/10 Female all port
Number of port	Input: 4 out put: 4



Terminated module

	All Port
Frequency Band	700-2700MHz
V.S.W.R	≤ 1.3 max
Impedance	50 Ω
Input Power	CW 100W Max/per port
Connector	4.3/10 Female all port
Number of port	Input: 4



Environmental characteristics

Operating Temperature	-10 to +50°C
Storage Temperature	-20 to +60°C
Relative Humidity	5~95%@ + 35°C non-condensing
Lighting Protection	Non-applied
RoHS Applicant	Complied

