

Quadruplexer COMBINER

MODEL: QUD-Series

■ Feature

Quadruplexer Combiner is consist of 4 dual duplexer that shares 2 frequencies.

The product covers with WCS 2300, IMT 2600 and TDD3600 for LTE/5G System. It is equipped 2 output ports and 4 input ports and waterproof function.

This document defines objective specification for a family of 2305-2673MHz / 3400-3600MHz

The purpose of the Product is to combine or separate two frequency bands into or out from a common feeder cable.

■ Passband

Two frequency bands, Low and High, are to be combined or separated using this device.

- Band LOW: 2305 – 2673MHz
- Band HIGH: 3400 - 3600 MHz

TAMAGAWA ELECTRONICS VIETNAM CO.,LTD

RF No.7,Plot no.H-1,Thang long Industrial park II ,My Hao Town Hung Yen Province, Vietnam

TEL:+84-321-397-4545 fax:+84-321-397-4547 MST:0900918385

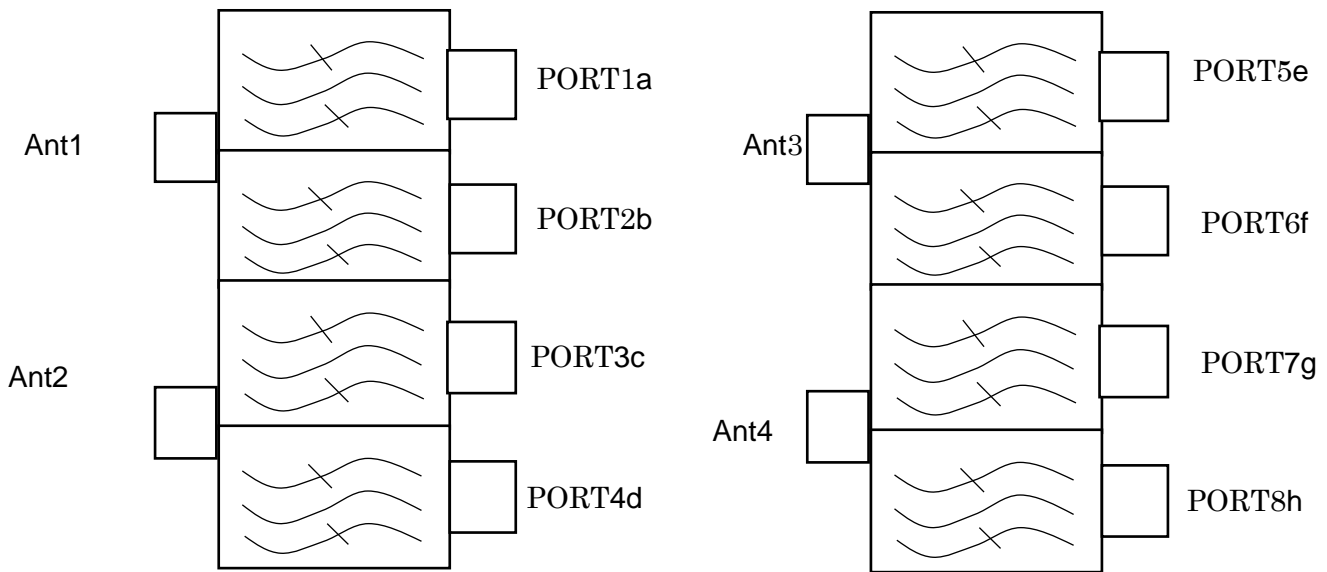
Manufacture by
Tamagawa Vietnam
© 2015 | Mar 2021 |



■ Application

- Cellular outdoor

■ Block diagram



■ Specifications

Electronical characteristics

	Port 1(a,c,e,g)	Port 2(b,d,f,h)
Frequency Band	2305~2673MHz	3400~3600MHz
Insertion Loss	0.2 dB max	0.2 dB max
V.S.W.R	1.25 max	
Attenuation	60dBmin @3400~3600MHz	60dBmin @2305~2673MHz
Impedance	50Ω All ports	
DC Pass	3A, 30V	Non
Passive Intermodulation	-160dBc CW 2x43dbm	
Average Maximum Power	CW 200W	

TAMAGAWA ELECTRONICS VIETNAM CO.,LTD

RF No.7,Plot no.H-1,Thang long Industrial park II ,My Hao Town Hung Yen Province, Vietnam

TEL:+84-321-397-4545 fax:+84-321-397-4547 MST:0900918385

Manufacture by
Tamagawa Vietnam
© 2015 | Mar 2021 |



Mechanical characteristics

Dimensions	186x140x102.2mm (Width x Depth x height)
Connector	4.3-10 DIN-Female 4 input and 2output ports
Mounting	Wall or Poll bracket
Color	Ivory (T-303)

Environmental characteristics

Operating Temperature	-20 to +85°C
Relative Humidity	0~98% ~35 °C non-condensing
Waterproofing Class	IP67
Lightning Protection	3kA Lightning Surge Current Waveform 10/350 waveform 20kA Lightning Surge Current Waveform 8/20 waveform
RoHS Applicant	Complied

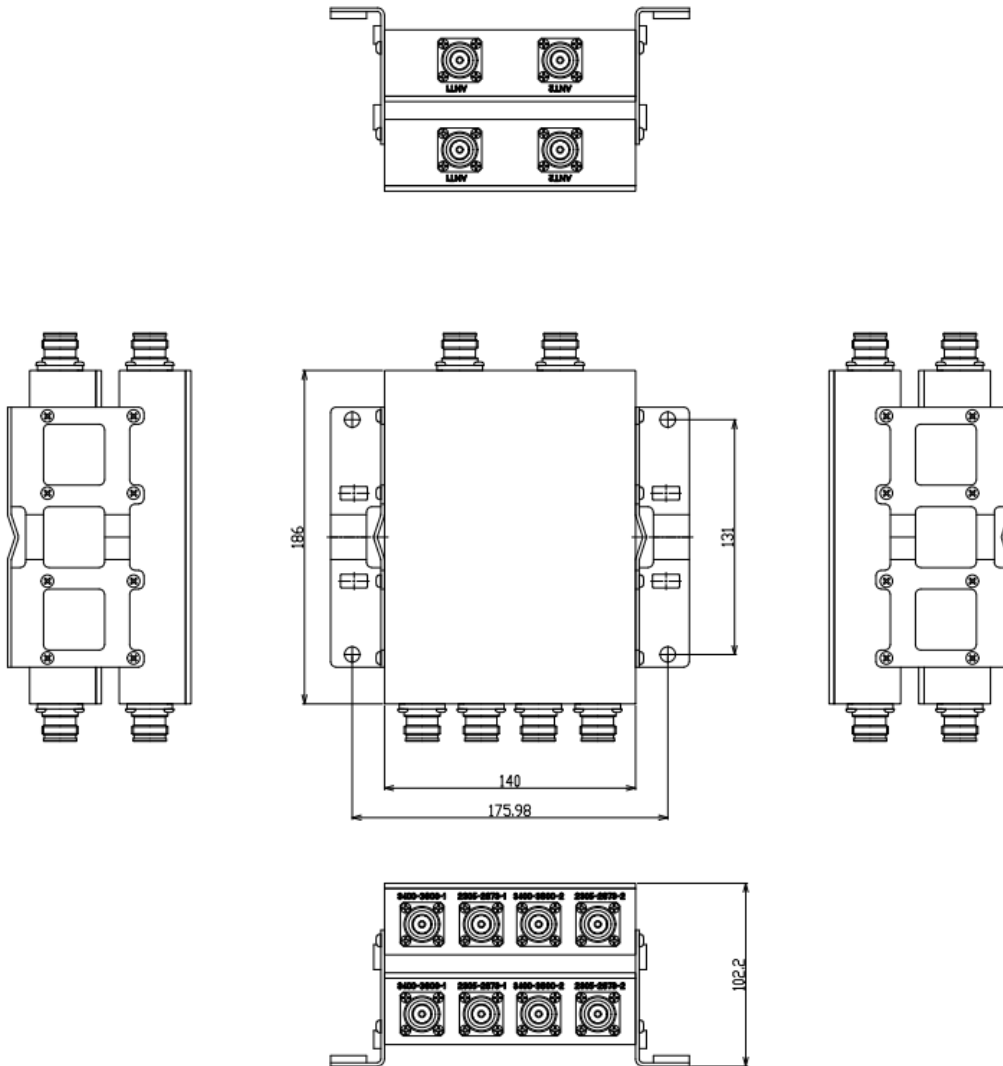
TAMAGAWA ELECTRONICS VIETNAM CO.,LTD

RF No.7,Plot no.H-1,Thang long Industrial park II ,My Hao Town Hung Yen Province, Vietnam

TEL:+84-321-397-4545 fax:+84-321-397-4547 MST:0900918385

Manufacture by
Tamagawa Vietnam
© 2015 | Mar 2021 |





Warranty policy

Tamagawa hereby warrants to Buyer that the products delivered hereunder will be free from defects in material and workmanship under normal use and service as follow: (1) years from date of shipment. Tamagawa' only obligation under this warranty is to repair or replace, at its factory, any Tamagawa product or part thereof that is returned to Tamagawa by the original Buyer within the warranty period. Tamagawa shall not be liable for any direct or consequential injury, loss or damage incurred through the use, or inability to use, any Tamagawa product.

