

# Modular Passive Point of Interface (MPOI)

**Model: POI**

## ■ Feature

The POI is composed of 16 inputs and 2 outputs.

The frequency can be manufactured from 700/ 900/ 1800/ 2100 (2600MHz & 3500MHz are option and available) with the specified frequency of GSM/ WCDMA/ LTE and 5G system for 4 operators. Modular unit is easy to hot swap. It is suitable for IBS base station system.

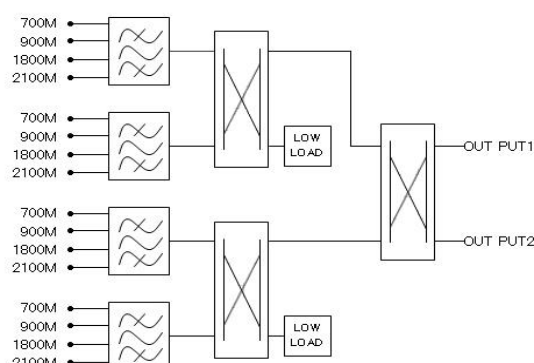
UT-1000 series are coaxial nonreflective terminator with an allowable power of 100W.

The operating frequency range can be used from DC to 5 GHz

## ■ Application

- ◆ Cellular In-building Network
- ◆ MRT
- ◆ Metro

## ■ Block Diagram



TAMAGAWA ELECTRONICS VIETNAM CO.,LTD

RF No.7,Plot no.H-1,Thang long Industrial park II ,My Hao District Hung Yen Province, Vietnam

TEL:+84-321-397-4545 fax:+84-321-397-4547 MST:0900918385

Manufacture by  
Tamagawa Vietnam  
© 2018 | APR 2019 |



## ■ Specifications

	<b>700MHz</b>	<b>900MHz</b>	<b>1800MHz</b>	<b>2100MHz</b>
<b>Frequency Band (MHz)</b>	703-788	890-960	1710-1880	1920-2170
	Port 1*6ports max	Port1*6ports max	Port1*6ports max	Port1*6ports max
<b>Insertion Loss</b>	8.5dB max			
<b>V.S.W.R</b>	1.35 max			
<b>Isolation</b>	<b>Inter Bands</b>		50dB	
	<b>In band</b>		22dB min	
<b>Impedance</b>	50Ω All ports			
<b>Passive Intermodulation</b>	-150dBc CW 2x43 dBm			
<b>Average Maximum Power</b>	40W max. per input port			
<b>Operating Temperature</b>	-10 to + 50°C			
<b>Storage Temperature</b>	-20 to + 60°C			
<b>Relative Humidity</b>	0~95% non-condensing			
<b>RoHS Applicant</b>	Complied			
<b>Dimensions</b>	482.6 X 360 X 265.9 (Width x Depth x Height)			
<b>Weight</b>	(30kg)			
<b>Connector</b>	All ports :4.3-10 –Female (Mini DIN connector)			
<b>Mounting Type</b>	19inch rack mounted			
<b>Color</b>	Beige			

TAMAGAWA ELECTRONICS VIETNAM CO.,LTD

RF No.7,Plot no.H-1,Thang long Industrial park II ,My Hao District Hung Yen Province, Vietnam

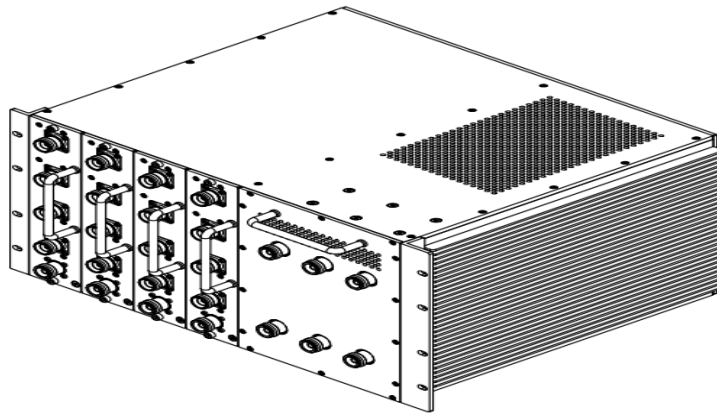
TEL:+84-321-397-4545 fax:+84-321-397-4547 MST:0900918385

Manufacture by  
Tamagawa Vietnam  
© 2018 | APR 2019 |



All specifications are subject to change without notice. The latest specifications are available at [tmev.com.vn](http://tmev.com.vn)

## ■ Drawing



## ■ Warranty policy

Tamagawa hereby warrants to Buyer that the products delivered hereunder will be free from defects in material and workmanship under normal use and service as follow: (1) years from date of shipment. Tamagawa' only obligation under this warranty is to repair or replace, at its factory, any Tamagawa product or part thereof that is returned to Tamagawa by the original Buyer within the warranty period. Tamagawa shall not be liable for any direct or consequential injury, loss or damage incurred through the use, or inability to use, any Tamagawa product.



Management System  
ISO 9001:2015  
ISO 14001:2015  
[www.tuv.com](http://www.tuv.com)  
ID 9108642074

**TAMAGAWA ELECTRONICS VIETNAM CO.,LTD**

RF No.7,Plot no.H-1,Thang long Industrial park II ,My Hao District Hung Yen Province, Vietnam

TEL:+84-321-397-4545 fax:+84-321-397-4547 MST:0900918385

Manufacture by  
Tamagawa Vietnam  
© 2018 | APR 2019 |



All specifications are subject to change without notice. The latest specifications are available at [tmev.com.vn](http://tmev.com.vn)