

# CEC - 1003 POI(8in-2out)



## CEC - 1003

### APPLICATION

- ◆ Telecommunication purpose
- ◆ IBC/IBS
- ◆ Sharing DAS
- ◆ Subways and Underground

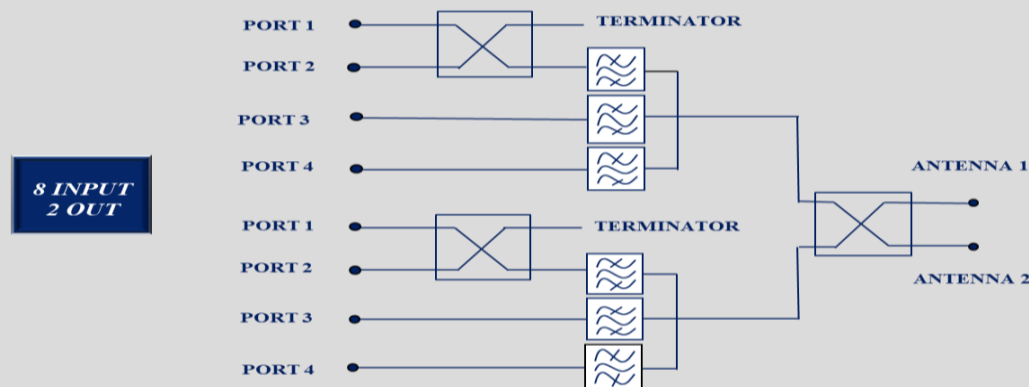
### FEATURE

The POI is composed of 8 inputs and 2 outputs.

The frequency can be manufactured from 700/900/1800/2100/2700 MHz with the specified frequency of GSM/WCDMA/ LTE system.

It is suitable for IBS base station products.

### BLOCK DIAGRAM



### SPECIFICATION

NO	COLUMN	Port 1,2	Port 3	Port 4
1	Frequency Band	※700~900MHz	※700~900MHz	※700~900MHz
		※1700~1880MHz	※1700~1880MHz	※1700~1880MHz
		※1920~2170MHz	※1920~2170MHz	※1920~2170MHz
		※2500~2690MHz	※2500~2690MHz	※2500~2690MHz
		Please designate the one pass band frequency from above Passband is permitted within 10% of above each frequency band Port 1,and Port2 must not be same Pass band frequency. Please choice the radio band to 13% of pass band frequency		
2	Insertion Loss		9.5 dB max	
3	V.S.W.R		1.35 max	
4	Isolation	In Band	23dBc min	
		Inter Bands	50dBc min	
5	Impedance		50Ω All ports	
6	Passive Intermodulation		-153dBc CW 2x43 dBm	
7	Average Maximum Power		80W max. per input port 320W max. Total input power at +22°C room temp	
8	Operating Temperature		-10 to + 50°C	
9	Storage Temperature		-20 to + 60°C	
10	Relative Humidity		0~95% ~35 °C	
11	RoHS Applicant		Complied	
12	Dimensions	265.9 x 482x 620 mm (Height x Width x Depth) (Not included projecting parts)		
13	Weight	25kg		
14	Connector	7/16 DIN-Female		
15	Mounting	6U x19 inch rack mounted		

E

CEC - 1003 SPECIFICATIONS

# CEC - 1003 POI(8in-2out)



## DRAWING

