

VARIOUS DUPLEXER SERIES



A

APPLICATION

- ◆ Telecommunication purpose
- ◆ Outdoor Antenna combiner for 3G/4G
- ◆ Engineer prototype

FEATURE

These duplexer for various purpose of telecommunication equipment for outdoor use

SPECIFICATION

850MHz DUPLEXER(DUP-1046)

NO	COLUMNM	UL PORT	DL PORT
1	Pass Band Frequency	824-827MMHz	869-879MHz
2	Insertion loss	0.7dB max	

900MHz DUPLEXER(DUP-1048)

UL PORT	DL PORT
882-915MHz	927-960MHz
1.2dB max	

1800MHz DUPLEXER(DUP-1050)

NO	COLUMNM	UL PORT	DL PORT
1	Pass Band Frequency	1710-1780MHz	1805-1880MHz
2	Insertion loss	1.2dB max	

2100MHz DUPLEXER(DUP-1052)

UL PORT	DL PORT
1922-1978MHz	2112-2168MHz
0.7dB max	

3	V.S.W.R.	1.2 Max.
4	Isolation between UL and DL	60dB min
5	PIMD	-153 dBc (3rd order with 2x20W)
6	DC pass	DC 30V - 2.5A (max 50V)
7	Power (Avg.)	CW 100 Max.
8	Impedance	50 Ω All ports
9	Operating Temperature	-30 to +60°C
10	Humidity	0~98% ~35°C non-condensing
11	Waterproofing Class	IP65
12	RoHS Applicant	Complied
13	size	Referring to drawing
14	RF Connector	7/16 DIN-Female 2 input and 1 output port
15	Mounting	Wall or Poll
16	Finish	Beige color

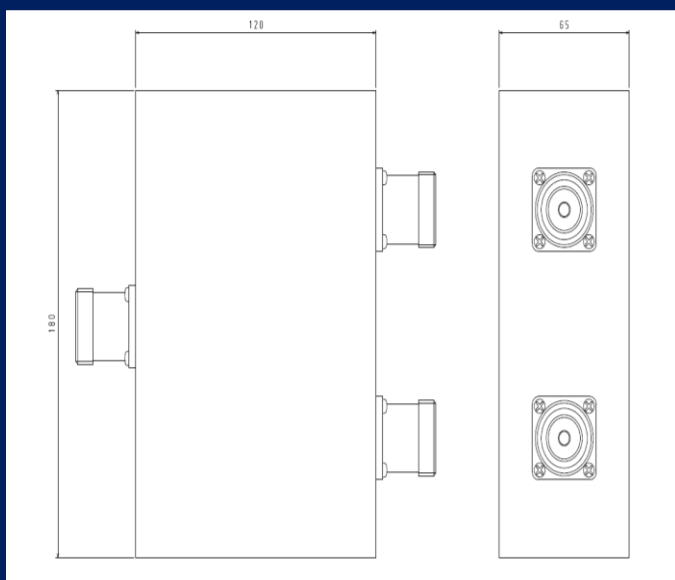
VARIOUS DUPLEXER SERIES

VARIOUS DUPLEXER SERIES

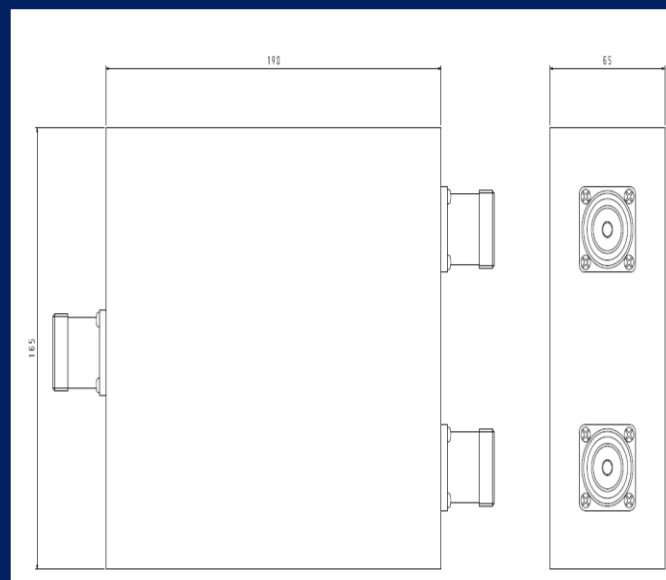


DRAWING

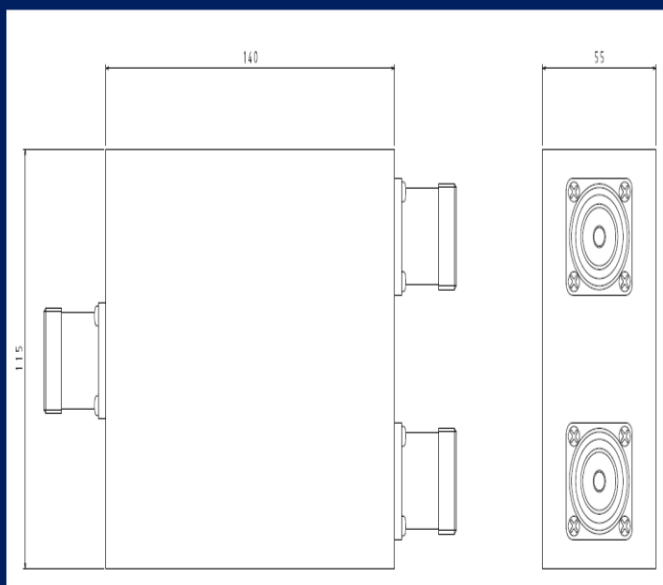
850MHz DUPLEXER



900MHz DUPLEXER



1800MHz DUPLEXER



2100MHz DUPLEXER

